

pirlo



If anyone CAN – we CAN!

Welded slip-lid cans



Welded slip-lid cans – decorative cans for larger volumes

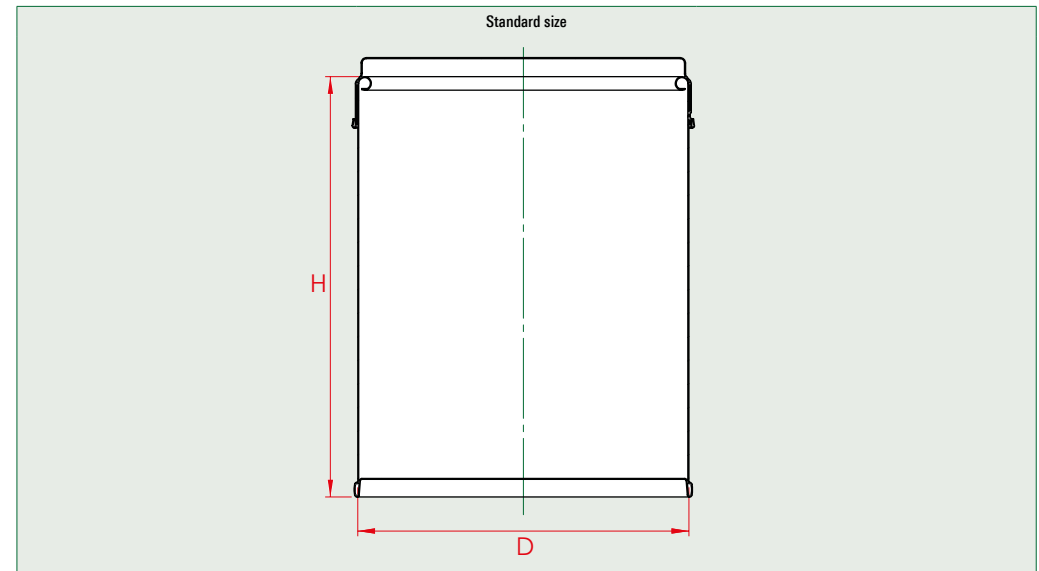
Welded slip-lid cans

For dried products, as individual as your packaging needs

The benefits of welded slip-lid cans „made by Pirlo“ at a glance:

- ⇒ 11 different standard versions from 175 ml to 1,000 ml make possible flexible and cost-effective packaging solutions
- ⇒ Individual printable in „reasonable“ quantities
- ⇒ Interior and exterior colourless protective coating
- ⇒ Optimal residual emptying due to the large can opening
- ⇒ Standard products in stock
- ⇒ Lid types for specific versions (also stackable)

Our experts will be happy to help you with any questions you may have pertaining to slip-lid tins. Special tin sizes are possible on request.



| Nominal Capacity | Dimension | Pieces |
|------------------|-------------|------------|
| in ml | D / H in mm | per pallet |
| 175 | 56 / 90 | 3.135 |
| 200 | 73 / 55 | 2.970 |
| 300 | 73 / 80 | 1.650 |
| 400 | 73 / 105 | 1.485 |
| 450 | 63 / 160 | 1.326 |
| 500 | 99 / 72 | 1.144 |
| 500 | 116 / 52 | 1.206 |
| 600 | 73 / 165 | 990 |
| 750 | 99 / 106 | 792 |
| 1.000 | 99 / 140 | 616 |
| 1.000 | 116 / 102 | 603 |
| 1.250 | 99 / 180 | 440 |



Pirlo GmbH & Co KG
Hugo-Petters-Straße 8 - 14
A-6330 Kufstein

☎ +43 (0) 53 72 / 649 23
☎ +43 (0) 53 72 / 649 23 61

office@pirlo.com
www.pirlo.com

Gebr. Reichsfeld
Ges.m.b.H. + Co OG
Industriezeile 8
A-2100 Korneuburg

☎ +43 (0) 2262 727 12
☎ +43 (0) 2262 727 12 30

office@reichsfeld.com
www.pirlo.com