

pirlo



If anyone CAN – we CAN!

Lug-lid hobbocks



Lug-lid hobbocks – the affordable alternative for large product sizes

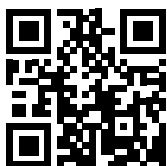
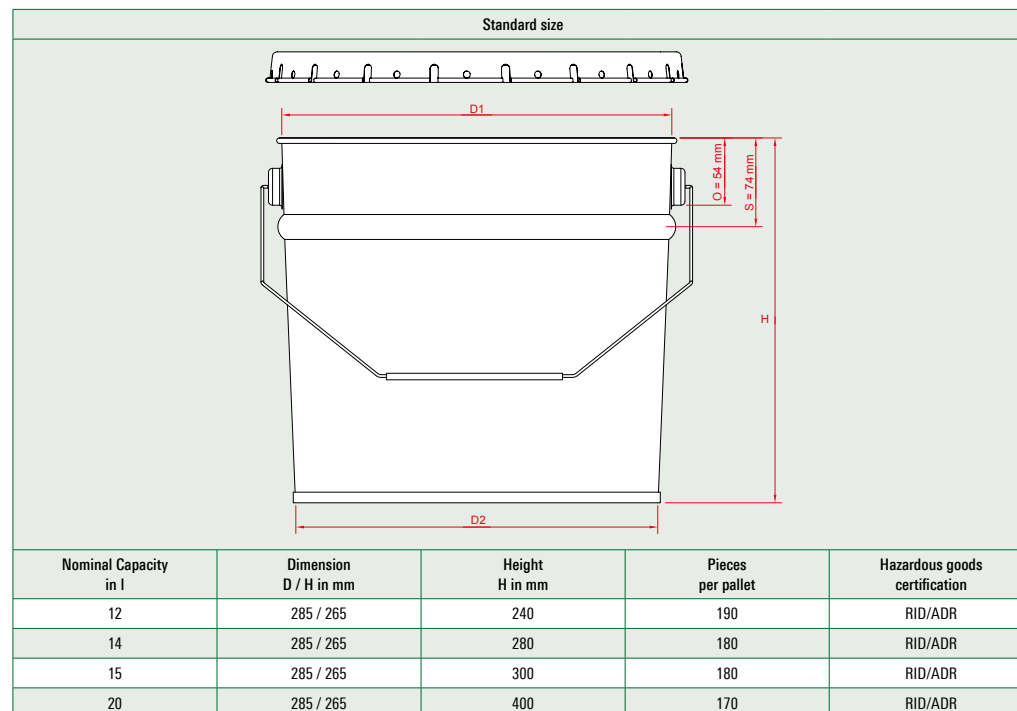
Lug-lid hobbocks

A wide range of products for chemical products

The benefits of the comprehensive programme of lug-lids "made by Pirlo" at a glance:

- ⇒ The containers have RID/ADR hazardous products certification, and are thus particularly suitable for filling goods based on solvents (VOC products)
- ⇒ Opening diameter 285 mm; available in sizes 13 to 20 litres
- ⇒ Lug-lid hobbocks are sealed using a special lug closing tool
- ⇒ Also available varnished inside
- ⇒ Standard products in stock

Our experts are happy to provide advice – also about Hazardous Goods Regulations (ADR/RID, UN). Special can sizes are possible on request.



CHEMOPAK Sp. z o.o.

Działki Suskowskie 78
PL-26-670 Pionki

+48 (0) 48 312 17 48

+48 (0) 48 384 82 30

office@chemopak.pl
www.pirlo.com