

# AK 0040

## FULLY AUTOMATIC INLINE CAPPING MACHINE

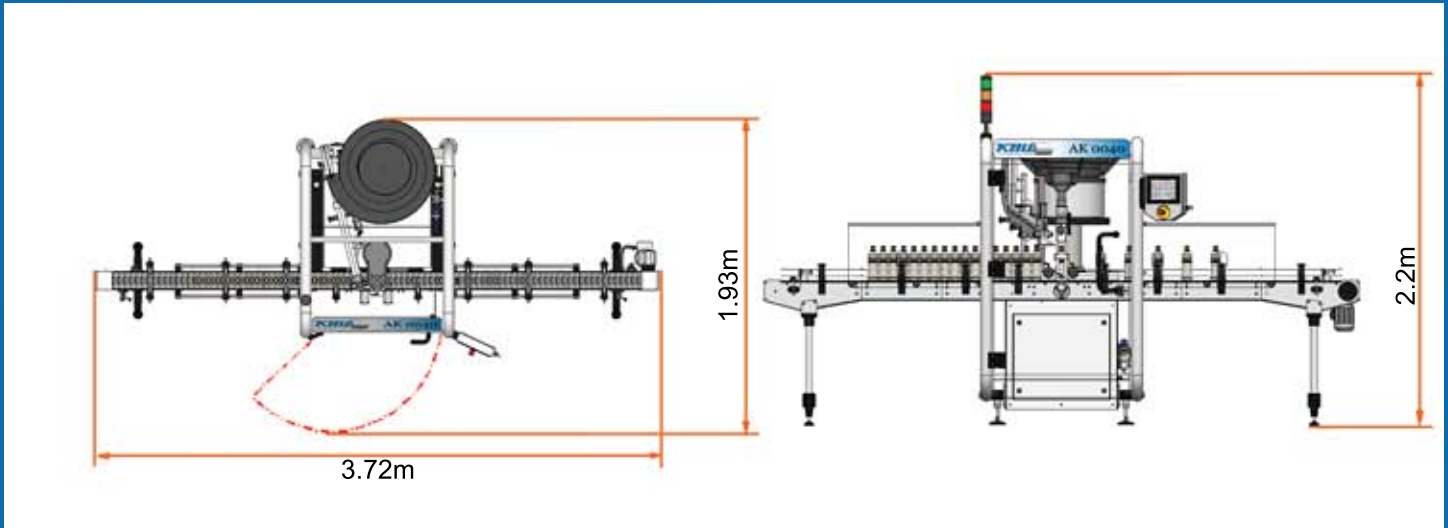
The AK 0040 inline screw capper offers unparalleled flexibility for a wide range of closure types to suit a number of industries.



### MACHINE FEATURES

- 7.5" TFT colour touch screen capable of storing up to 200 recipes.
- Programmable for different capping applications.
- Complete range of capping chucks to suit all closure types.
- Fast and accurate servo driven capping turret.
- Tool less quick release machine elements.
- Accurate and repeatable torque control.
- Multiple adjustments without the need to stop the machine.
- Smooth and accurate container handling.
- Fast product changeover.
- Integrated fault alarms.
- Constructed in compliance with FDA approved materials.
- Optional full IQ/OQ validation support documentation.

# YOUR PARTNER IN PACKAGING



## TECHNICAL SPECIFICATION

Container Range:	Diameter: 25 - 125mm Height: 45 - 305mm
Cap Range:	Diameter: 10 - 75mm Height: 7 - 50mm
Line Speed:	Up to 40 bottles per minute (Cap and bottle size dependent)
Build Standard:	cGMP, CE marked in accordance with Machinery Directive 2006/42/EC
Power Requirements:	220/240V 50Hz 1Ph or 110/120V 60Hz
Pneumatic Requirement:	4 - 7 Bar, filtered and dried
Electrical Consumption:	1kW
Nett Weight:	750Kg

## OPERATION

The AK 0040 is controlled using a Touch Screen Interface. Each product setup is stored in a recipe format for quick and easy recall. Upon recipe selection and after a small number of simple mechanical adjustments, the capping cycle can commence.

Bottles are fed into the capping area via the infeed conveyor system. As soon as the bottle has correctly entered the capping area, the bottle clamp extends and securely locates the bottle. The capping chuck then applies the cap to a pre-determined torque. The cap chuck then lifts, allowing the cycle to repeat.

During the changeover part of the cycle, caps that have been previously orientated using a vibratory bowl feeder are fed into a gravity chute to the cap pickup station where the three jaw chuck takes a new cap ready to repeat the cycle.

[www.kbw-packaging.com](http://www.kbw-packaging.com)