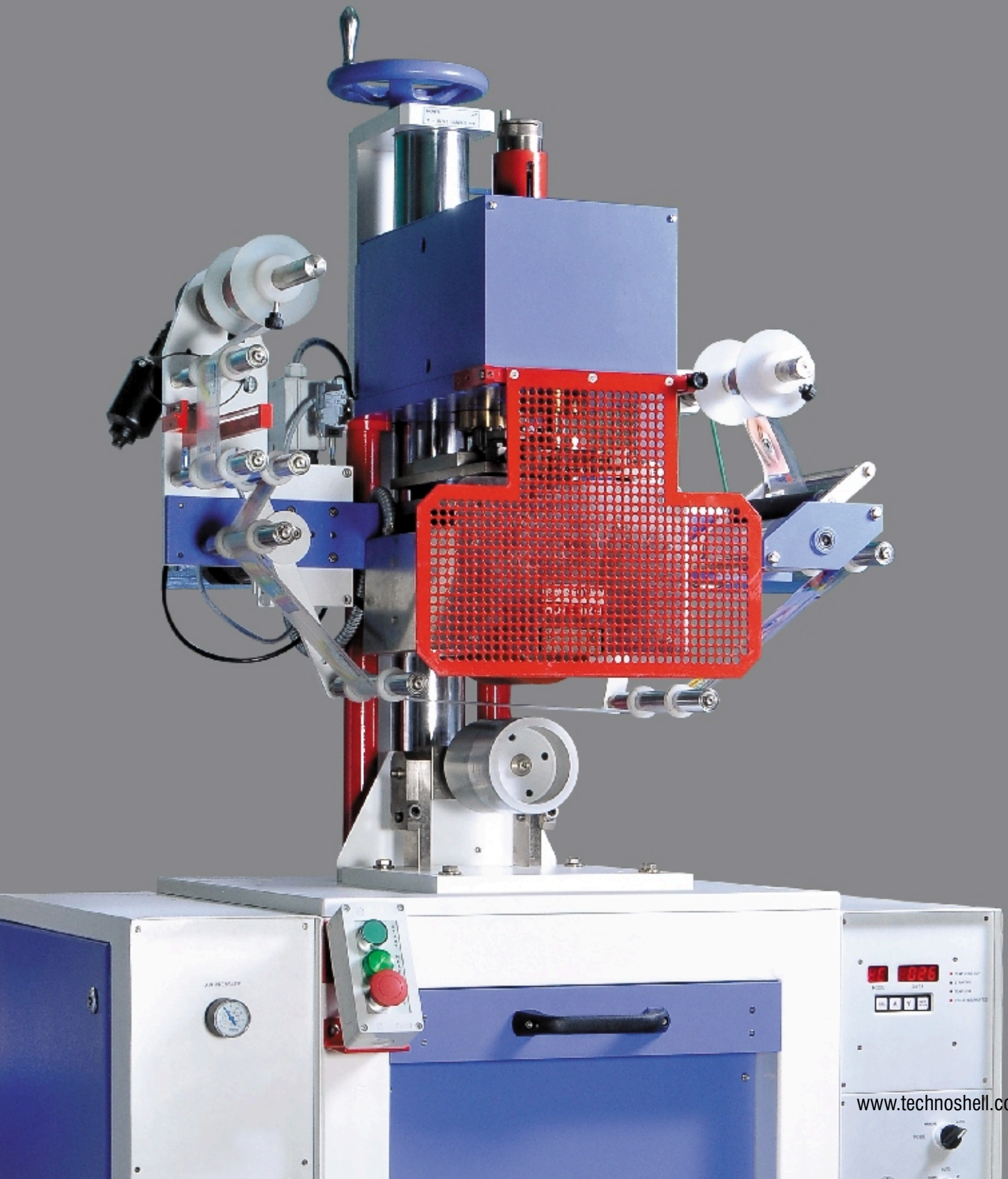


# Hot Foil Stamping Machine **STM-300-RN**



# Hot foil stamping machine

## STM-300-RN

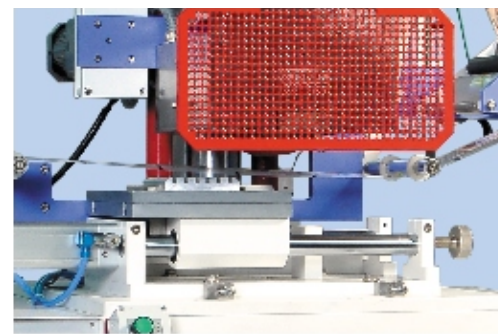
### Features

- Versatile machine - Suitable for heat transfer on round, taper and flat (optional) plastic articles
- Excellent stamping results – Machine has state-of-the-art controller which ensures precise parameter control and foil registration
- Single or automatic cycle as desired – Increases productivity
- Compact AC motors with infinite speed adjustment of stamping roller and foil advance
- Manually operated stamping roller protection arrangement (in case of power failure) – saves the roller from damage and freedom from machine breakdown
- Easy rotational, parallelism and depth adjustment of the roller – Enables quick settings and excellent stamping results
- Black mark sensor (optional)
- Conformity to CE norms (optional)

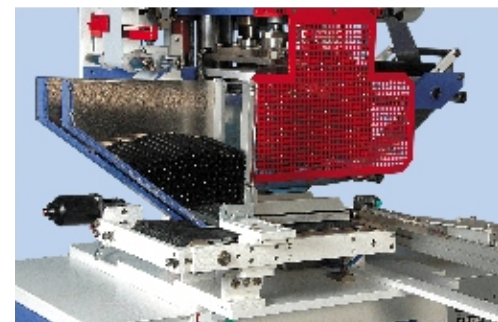


Optional attachments shown in the picture are not a part of the standard machine

### Optional Attachments



Sliding carriage for flat articles



Heat transfer attachment for pen

## Applications

Pens & ball pens, Compass boxes, Jewellery boxes, Decorative plastic beads, Cosmetic containers, Refrigerator parts, Casseroles, A.C. Parts, Hologram transfers, Water bottles, Scales and other instruments, Thermos flasks, Electrical switch boards, Plastic packaging boxes, Plastic combs etc.



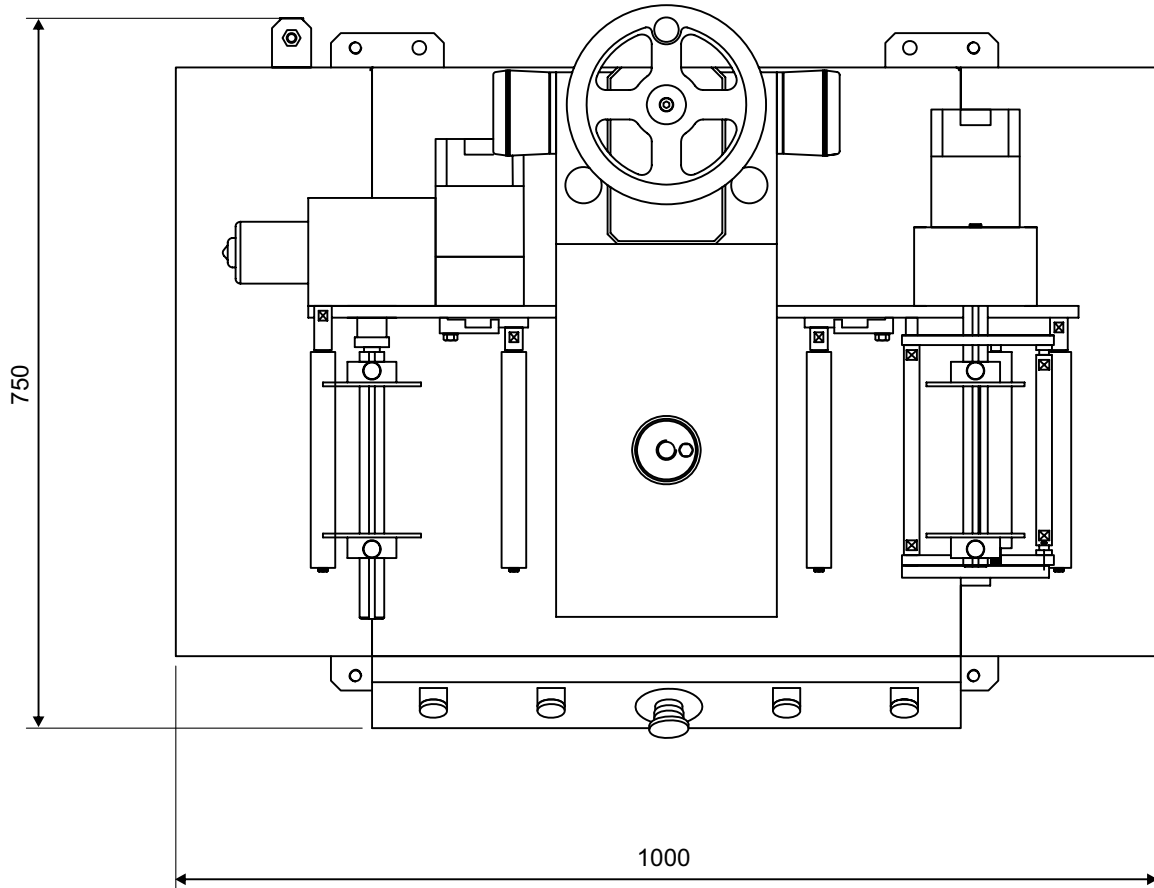
## Technical Specifications

- Stamping width : 175 mm
- Stamping force : 300 kgf
- Job Diameter : 7 mm to 300 mm (without optional attachments)
- Slider stroke : 200mm
- Max. Flat article : 125 mm length x 150 mm width
- Heaters : 1 KW x 2 Nos.
- Power : 2.5 KW, Single phase, 230 V AC, 50Hz
- Dimensions : 1200mm x 900 mm x 2000mm Ht



Due to continual improvements specifications and features are subject to change without notice..  
Label graphics shown under application heading are the property and trade mark of the respective brands.

Layout :



 **Technoshell**  
Automations Pvt. Ltd.

G - 49, M.I.D.C., Ambad, Nashik - 422010. INDIA  
Ph.: 0091-253-2383049, 6605611. Fax: 2381474  
Email: [info@technoshell.com](mailto:info@technoshell.com) URL: [www.technoshell.com](http://www.technoshell.com)