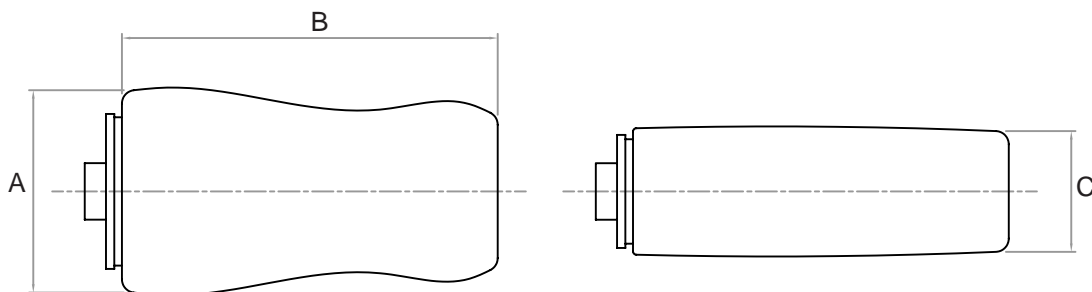




Calipso



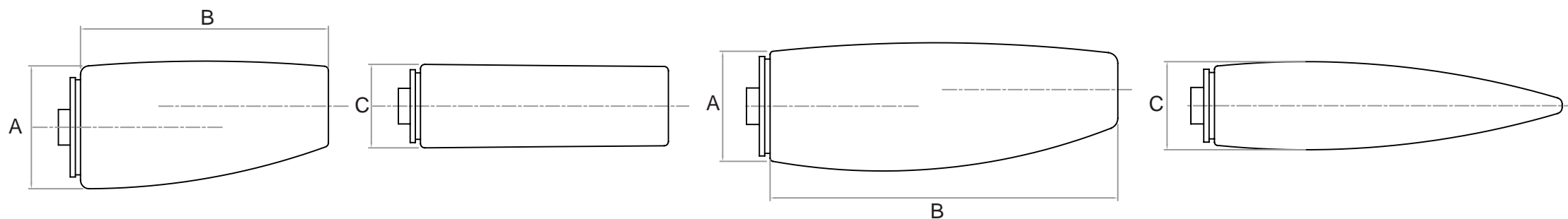
Cupido



CALIPSO

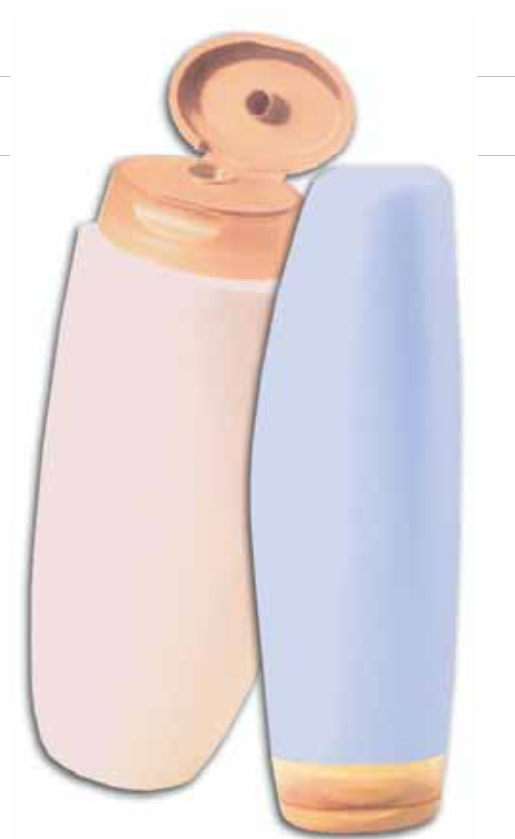
Nr.	CODE	ml	ml RB	Weight	Fillet	Dimensions			Compound		Note
						A	B	C	External	Internal	
01	PB10-150	150	156	20	24/410	63	116	40	PEHD	..	All items can fit our cap "FLIP-TOP" TFT (vedi tappi modello n°15)
02	PB10-250	250	256	28	24/410	73	148	42	PEHD	..	



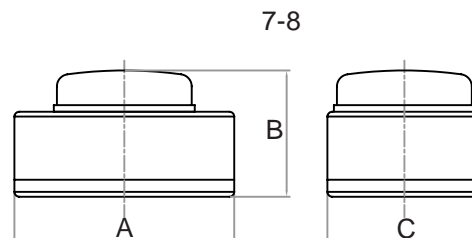
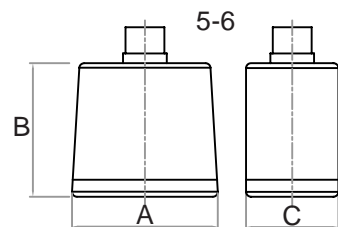
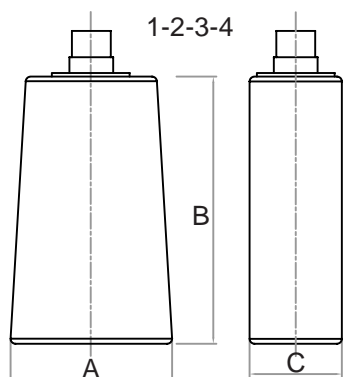


CUPIDO

Nr.	CODE	ml	ml RB	Weight	Fillet	Dimensions			Compound		Note
						A	B	C	External	Internal	
01	PB9150	150	156	17	24/410	60	119	39	PEHD	..	All items can fit our cap "FLIP-TOP" TFT (view cap model n°15)
02	PB9250	250	256	28	24/410	67	148	42	PEHD	..	
03	FT9200	200	206	28	..	60	162	41	PEHD	..	





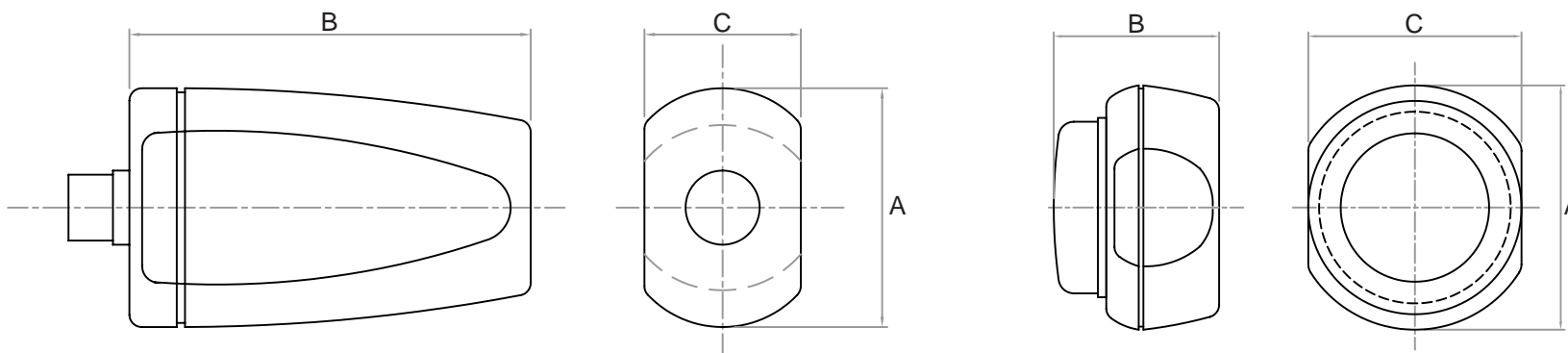


DAFNE

Nr.	CODE	ml	ml RB	Weight	Fillet	Dimensions			Compound		Note
						A	B	C	External	Internal	
01	PB7400	400	415	35	24/410	83	180	49	PEHD	.	SENZA FONDELLO
02	PB7250	250	260	26	24/410	71	155	42	PEHD	.	SENZA FONDELLO
03	PB7200	200	208	19	24/410	71	126	42	PEHD	.	SENZA FONDELLO
04	PB7150	150	156	90	24/410	66,5	112	39	PEHD	.	SENZA FONDELLO
05	PB750	50	53	66	18/415	61	75	38	ABS	PEHD	
06	PB730	30	33	62	18/415	61	56	28	ABS	PEHD	
07	PJ750	50	56	30	51x3	90,5	52	63,5	ABS	PP	
08	PJ730	30	30	30	51x3	90,5	52	63,5	ABS	PP	



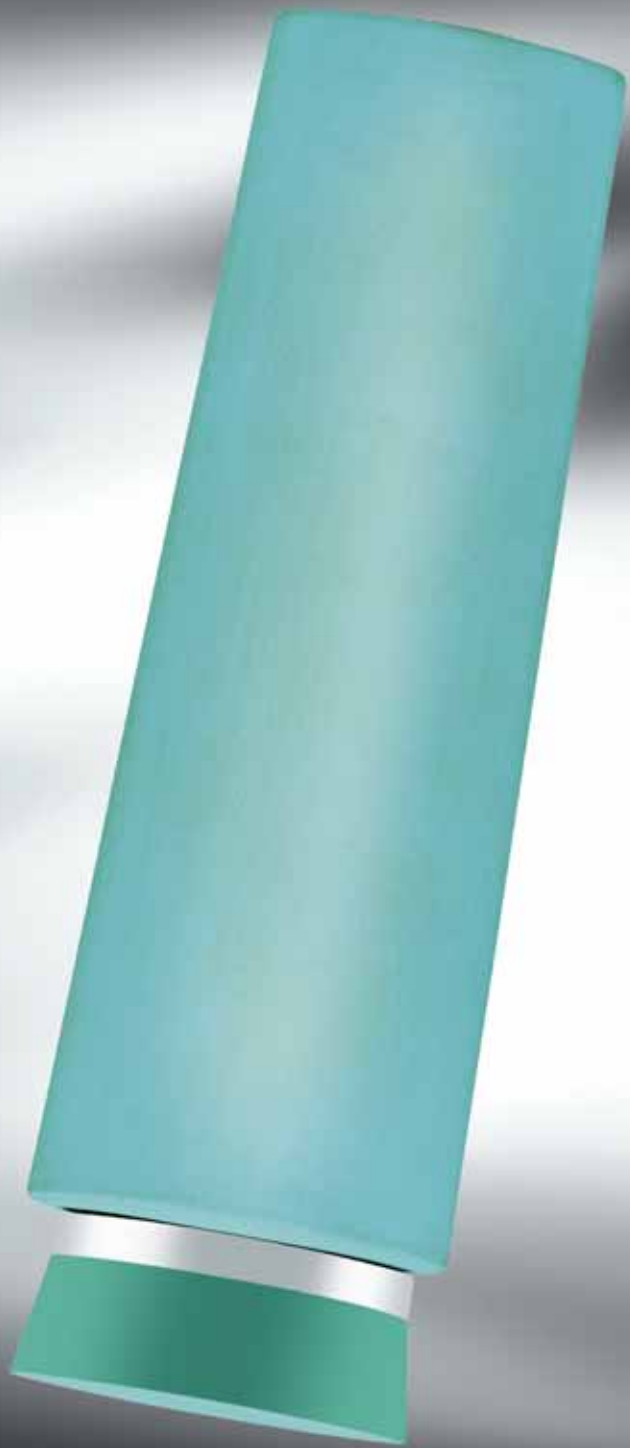


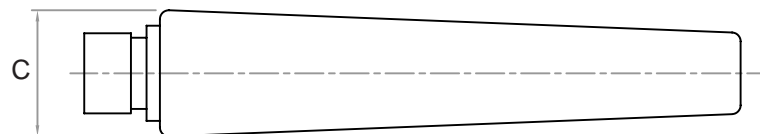
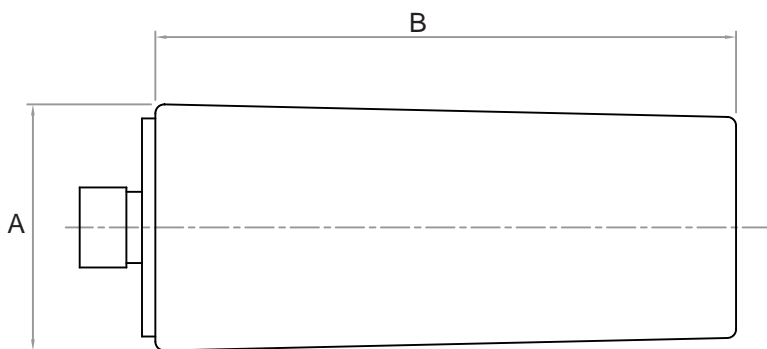


DIANA

Nr.	CODE	ml	ml RB	Weight	Fillet	Dimensions			Compound		Note
						A	B	C	External	Internal	
01	PB30200	200	206	25	24/410	67	113	41	PEHD	..	
02	PB30150	150	156	20	24/410	63	100	41	PEHD	..	
03	PB3050	50	53	35	18/415	49	93	40	ABS	PEHD	
04	PB3030	30	33	26	18/415	49	71	40	ABS	PEHD	
05	PB3015	15	18	19	18/415	49	51	40	ABS	PEHD	
06	PJ3050	50	56	66	51x3	79	56	69	ABS	PP	
07	PJ3030	30	35	62	51x3	79	55	69	ABS	PP	







FLACON TUBO

Nr.	CODE	ml	ml RB	Weight	Fillet	Dimensions			Compound		Note
						A	B	C	External	Internal	
01	FT200	200	208	..	18X5	61	184	35	PEHD	..	
02	FT150	150	156	..	18X5	59	161	31	PEHD	..	
03	FT100	100	106	..	15X5	56	133	29	PEHD	..	
04	FT50	50	53	..	14X5	46	83	26	PEHD	..	
05	FT30	30	33	..	14X5	44	62	24	PEHD	..	

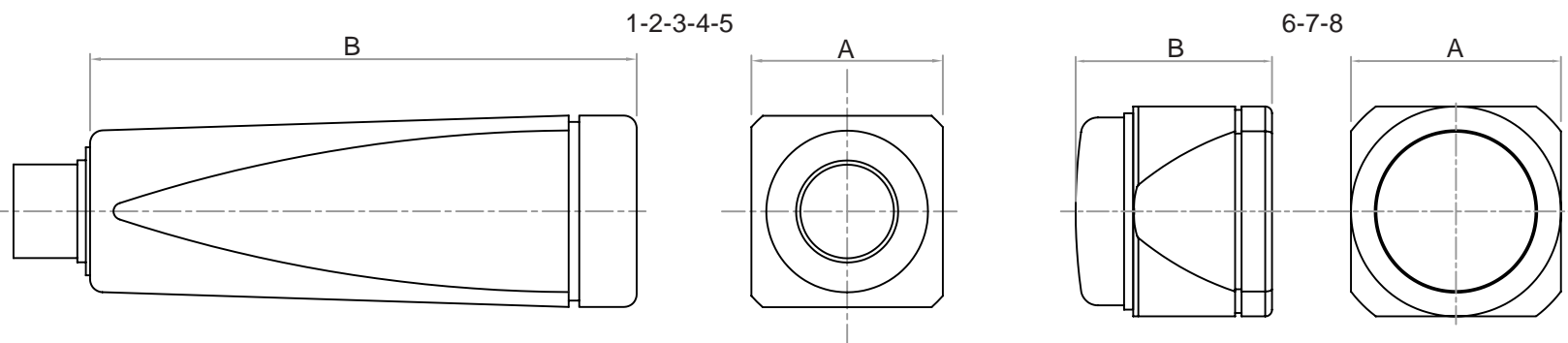


NEW

Available for all the range cover **FLIP TOP**







GIOVE

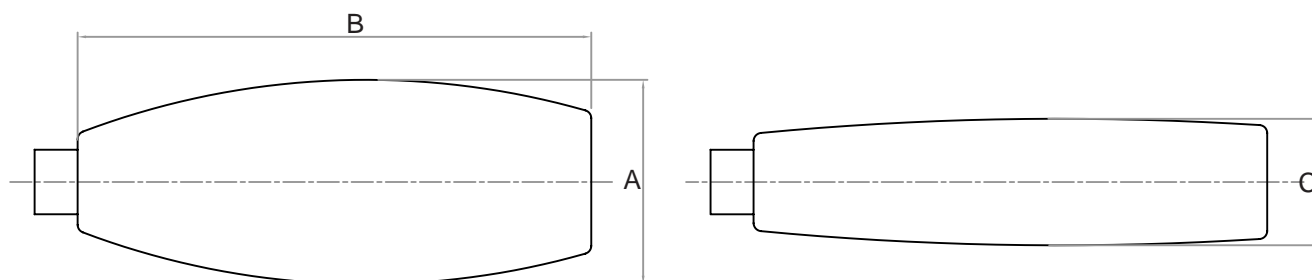
Nr.	CODE	ml	ml RB	Weight	Fillet	Dimensions			Compound		Note
						A	B	C	External	Internal	
01	PBQ200	200	206	..	24/410	45	167	..	PEHD	..	CON O SENZA FONDELLO
02	PBQ150	150	156	..	24/410	45	130	..	PEHD	..	CON O SENZA FONDELLO
03	PBQ50	50	53	..	18/415	37	87	..	ABS	PEHD	
04	PBQ30	30	33	..	18/415	37	77	..	ABS	PEHD	
05	PBQ15	15	18	..	18/415	37	57	..	ABS	PEHD	
06	PJQ100	100	108	..	57x3	73	65	..	ABS	PP	
07	PJQ50	50	56	..	51x3	62	56	..	ABS	PP	
08	PJQ30	30	35	..	51x3	62	56	..	ABS	PP	



Vesta



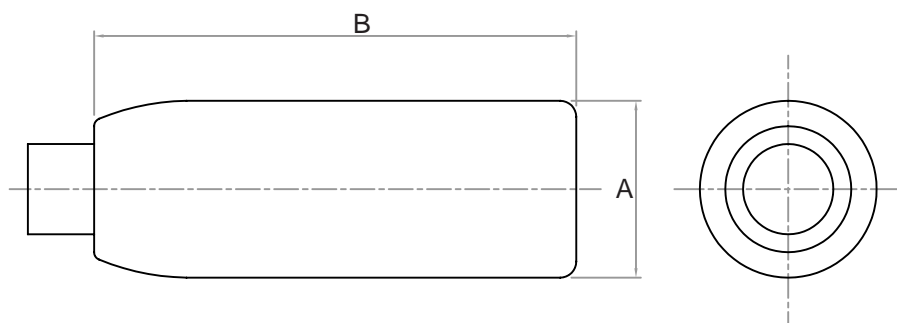
Marte



VESTA

Nr.	CODE	ml	ml RB	Weight	Fillet	Dimensions			Compound		Note
						A	B	C	External	Internal	
01	PB08-125	125	131	17	24/410	40	106	37	PEHD	.	
02	PB08-250	250	260	24	24/410	50	163	36	PEHD	.	
03	PB08-400	400	412	34	24/410	54	191	46	PEHD	.	



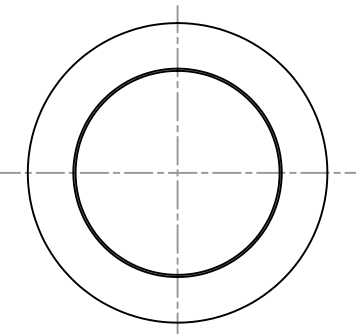
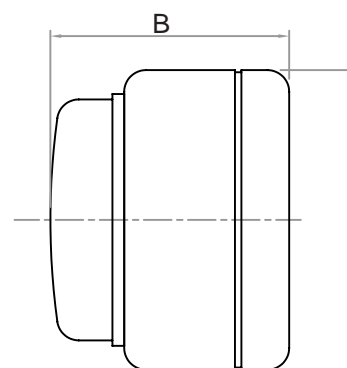
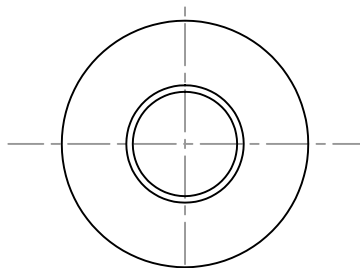
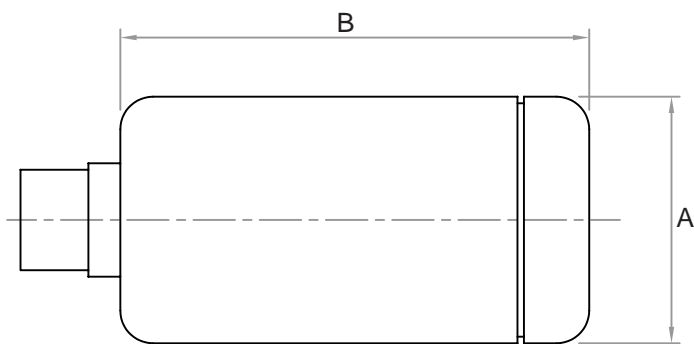


MARTE

Nr.	CODE	ml	ml RB	Weight	Fillet	Dimensions			Compound		Note
						A	B	C	External	Internal	
01	PB02-150	150	156	17	24/410	44	117	..	PEHD	..	
02	PB02-200	200	206	21	24/410	47	151	..	PEHD	..	
03	PB02-250	250	260	24	24/410	48	166	..	PEHD	..	





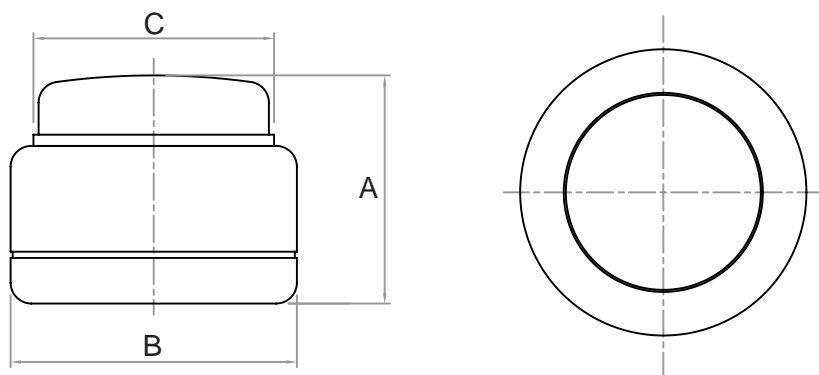


MINERVA

Nr.	CODE	ml	ml RB	Weight	Fillet	Dimensions			Compound		Note
						A	B	C	External	Internal	
01	PB1200	200	206	..	24/410	55	113	..	PEHD	..	CON O SENZA FONDELLO
02	PB1150	150	156	..	24/410	50	102	..	PEHD	..	CON O SENZA FONDELLO
03	PB1125	125	131	..	24/410	47	93	..	PEHD	.	CON O SENZA FONDELLO
04	PB150	50	53	..	18/415	38	87	..	ABS	PEHD	
05	PB130	30	33	..	18/415	38	65	..	ABS	PEHD	
06	PB115	15	18	..	18/415	38	51	..	ABS	PEHD	
07	PJ1250	250	262	..	81x3.5	104	78	..	ABS	PP	
08	PJ1200	200	262	..	81x3.5	104	78	..	ABS	PP	
09	PJ1100	100	108	..	57x3	80	65	..	ABS	PP	
10	PJ150	50	56	..	51x3	70	56	..	ABS	PP	
11	PJ130	30	35	..	51x3	70	55	..	ABS	PP	
12	PJ130P	30	35	..	40x3	58	48	..	ABS	PP	





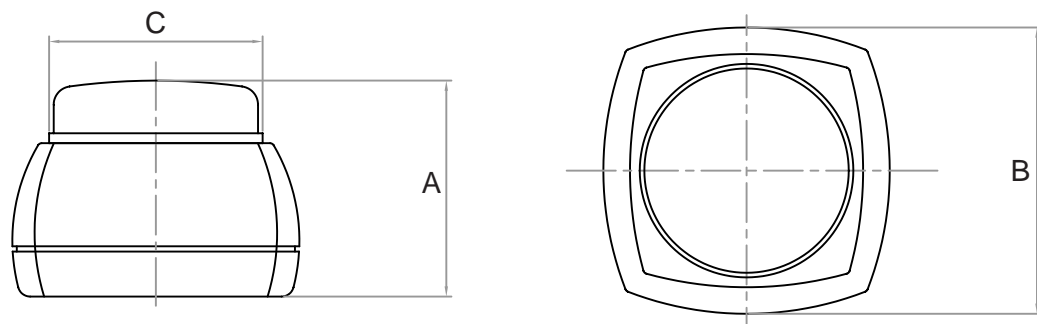


PJ01 vasetti

Nr.	CODE	ml	ml RB	Weight	Fillet	Dimensions			Compound		Note
						A	B	C	External	Internal	
01	PJ130	30	35	..	51x3	55	70	57	ABS	PP	
02	PJ150	50	56	..	51x3	56	70	57	ABS	PP	
03	PJ1100	100	108	..	51x3	65	80	57	ABS	PP	





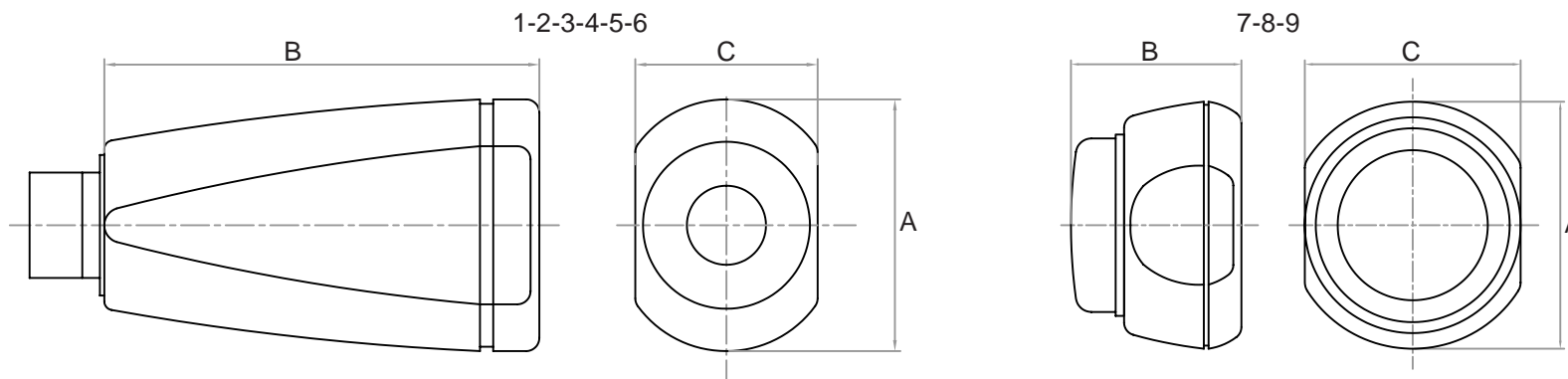


PJ04 multicolor

Nr.	CODE	ml	ml RB	Weight	Fillet	Dimensions			Compound		Note
						A	B	C	External	Internal	
01	PJ430	30	35	..	51x3	55	70	57	ABS	PP	
02	PJ450	50	56	..	51x3	55	70	57	ABS	PP	





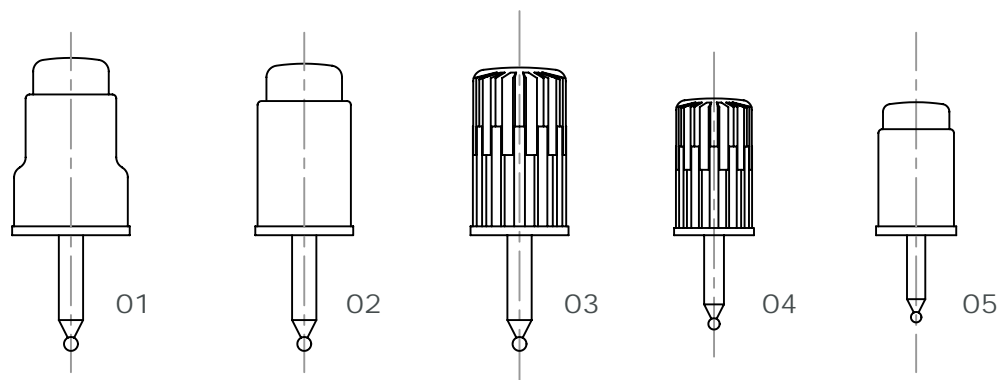


VENERE

Nr.	CODE	ml	ml RB	Weight	Fillet	Dimensions			Compound		Note
						A	B	C	External	Internal	
01	PB3200	200	206	..	24/410	67	129	42	PEHD	..	CON O SENZA FONDELLO
02	PB3150	150	156	..	24/410	57	113	42	PEHD	..	CON O SENZA FONDELLO
03	PB3125	125	131	..	24/410	51	95	42	PEHD	..	
04	PB350	50	53	..	18/415	49	93	40	ABS	PEHD	
05	PB330	30	33	..	18/415	49	71	40	ABS	PEHD	
06	PB315	15	18	..	18/415	49	51	40	ABS	PEHD	
07	PJ3100	100	108	..	57x3	89	65	79	ABS	pp	
08	PJ350	50	56	..	51x3	79	56	69	ABS	pp	
09	PJ330	30	35	..	51x3	79	55	69	ABS	pp	





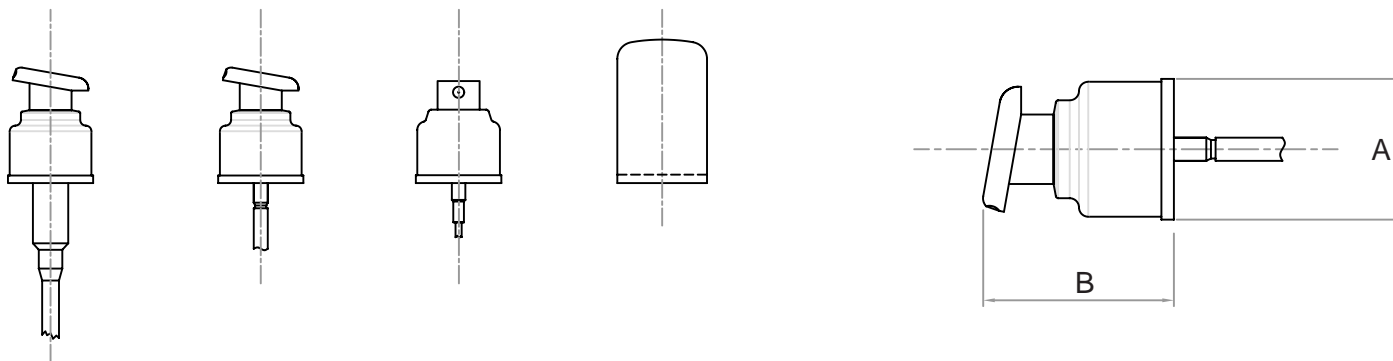


DROPPERS

Nr.	CODE	Fillet	Ø Glass tube	Dimensions		Note
				A	B	
01	DL24C	24/410	6,25	30,5	45,3	
02	DL18	18/415	6,25	25,5	44	
03	DR18	18/415	6,25	25,5	44	
04	DL13	13/415	4,75	20,8	34,5	
05	DR13	13/415	4,75	20,8	34,5	

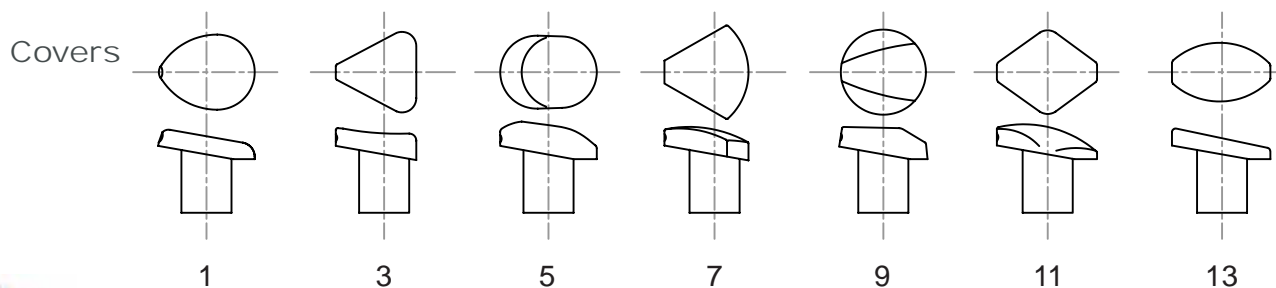




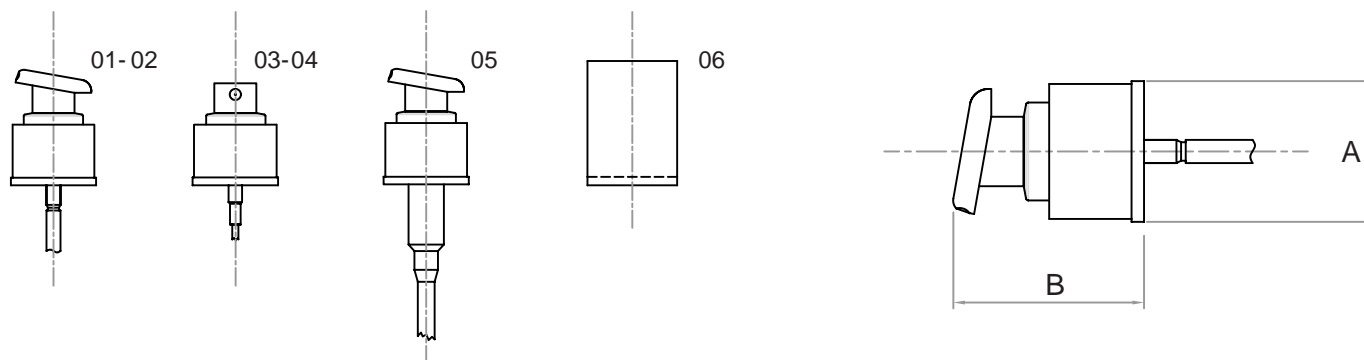


PUMP dispenser - spray - overcaps

Nr.	CODE	Fillet	Dimensions		Dosage mcl						Note
			A	B	130	190	300	500	750	1000	
01	CD24MC	24/410	30,5	43			●	●	●	●	Abbinabile a tappi 1-13
02	CD242C	24/410	30,5	41,5	●	●					Abbinabile a tappi 1-13
03	CD182C	18/415	30,5	41,5	●	●					Abbinabile a tappi 1-13
04	PS18C	18/415	30,5	38	●	●					
05	PS24C	24/410	30,5	38	●	●					
06	OSP05	..	32	52							



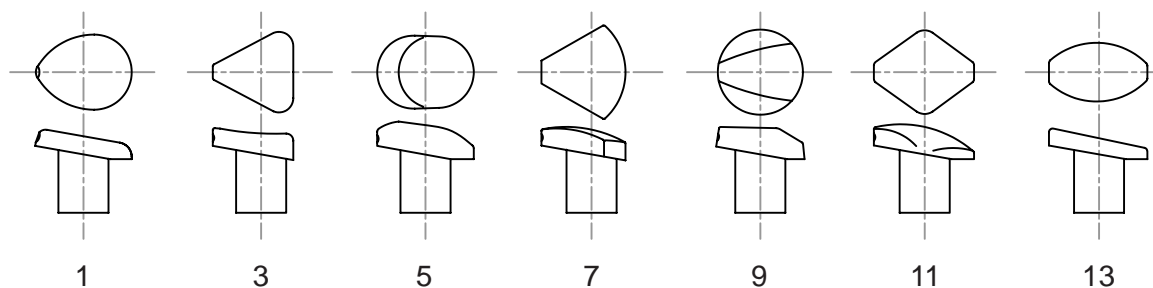




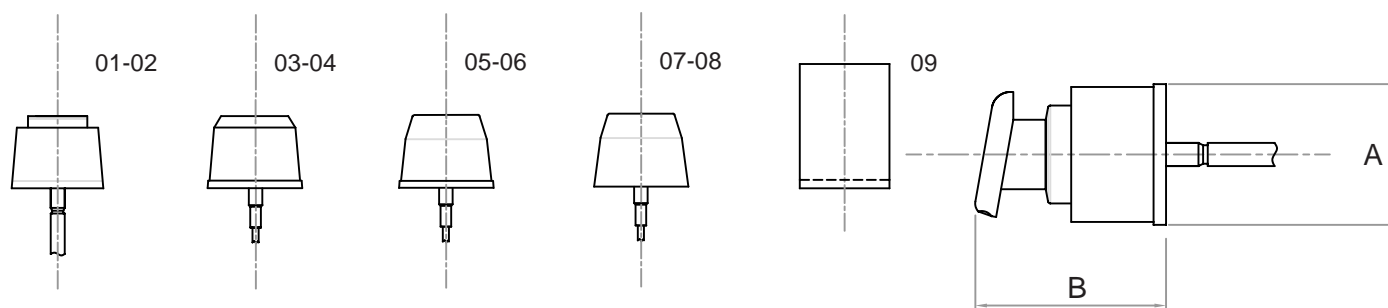
PUMP dispenser - spray - overcaps

Nr.	CODE	Fillet	Dimensions		Dosage mcl						Note	
			A	B	130	190	300	500	700	1000		
01	CD18D-2/C	18/415	30,5	41,5	●	●						Abbinabile a tappi 1-13
02	CD24D/2C	24/410	30,5	41,5	●	●						Abbinabile a tappi 1-13
03	PS18D/C	18/415	30,5	37,5	●	●						Abbinabile a tappi 1-13
04	PS24D/C	24/410	30,5	37,7	●	●						Abbinabile a tappi 1-13
05	CD24D-M/C	24/410	30,5	42,0			●	●	●	●		Abbinabile a tappi 1-13
06	POC18P	18/415 & 24/410	34,5	51,0								

Tappi





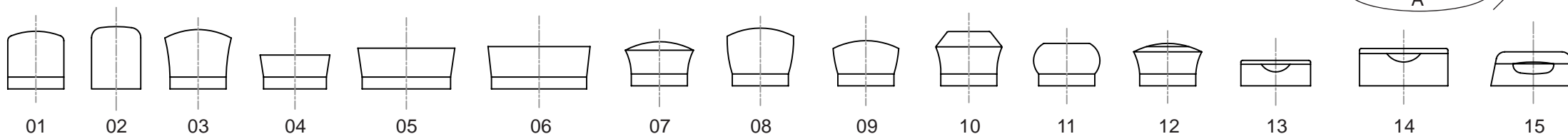
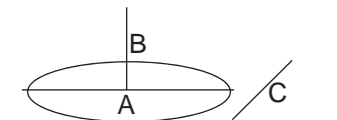


PUMP dispenser - spray - overcaps

Nr.	CODE	Fillet	Dimensions		Dosage mcl				Note
			A	B	100	150	200	300	
01	CD183M/C - CD243M/C	18/415 & 24/410	31,3	42,3	●	●	●	●	
02	PS183M/C - PS243M/C	18/415 & 24/410	31,3	41,8	●	●	●	●	
03	CD185M/C - CD245M/C	18/415 & 24/410	31,3	42,3	●	●	●	●	
04	PS185M/C - PS245M/C	18/415 & 24/410	31,3	41,8	●	●	●	●	
05	CD187M/C - CD247M/C	18/415 & 24/410	31,3	42,3	●	●	●	●	
06	PS187M/C - PS247M/C	18/415 & 24/410	31,3	41,8	●	●	●	●	
07	CD189M/C - CD249M/C	18/415 & 24/410	31,3	42,3	●	●	●	●	
08	PS189M/C - PS249M/C	18/415 & 24/410	31,3	41,8	●	●	●	●	
09	POC20	18/415 & 24/410	34,5	51,0					







COVER

Nr.	CODE	Fillet	Dimensions			Nr.	CODE	Fillet	Dimensions		
			A	B	C				A	B	C
01	T1V	24/410	33	34	..	09	T7V	24/410	40	26	..
02	T2V	24/410	29	38	..	10	T8V	24/410	38	32	..
03	T3V	24/410	39	35	..	11	T9V	24/410	39	25	..
04	T4V 30/50	..	41	20	26	12	T10V	24/410	40	25	..
05	T4V 100	..	57	24	29	13	T4 F.T. 30/50	..	41	15	21
06	T4V 150/200	..	60	25	32	14	T4 F.T. 200	..	52	22	25
07	T5V	24/410	40	26	..	15	T.F.T.	..	50	20	37
08	T6V	24/410	39	34	..						

