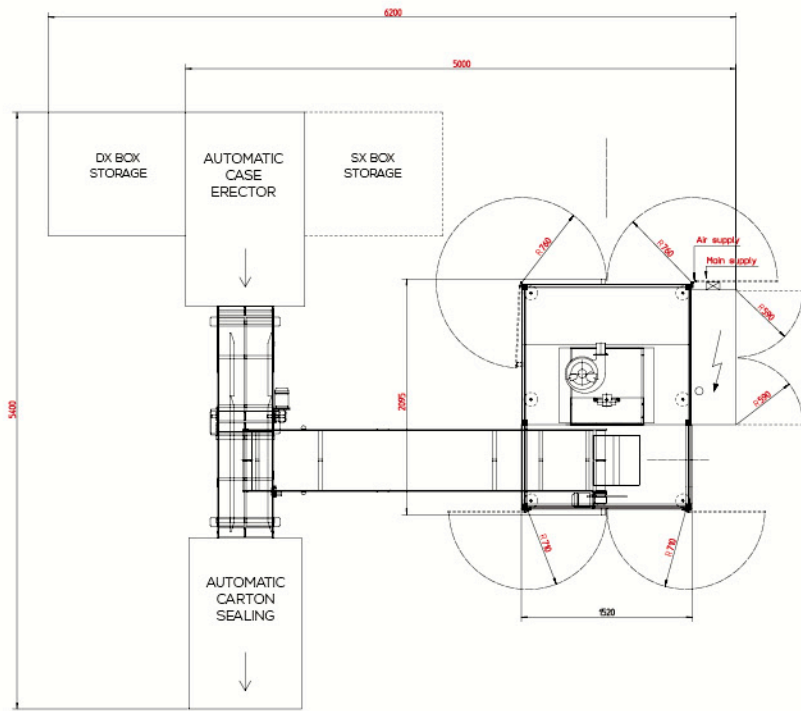




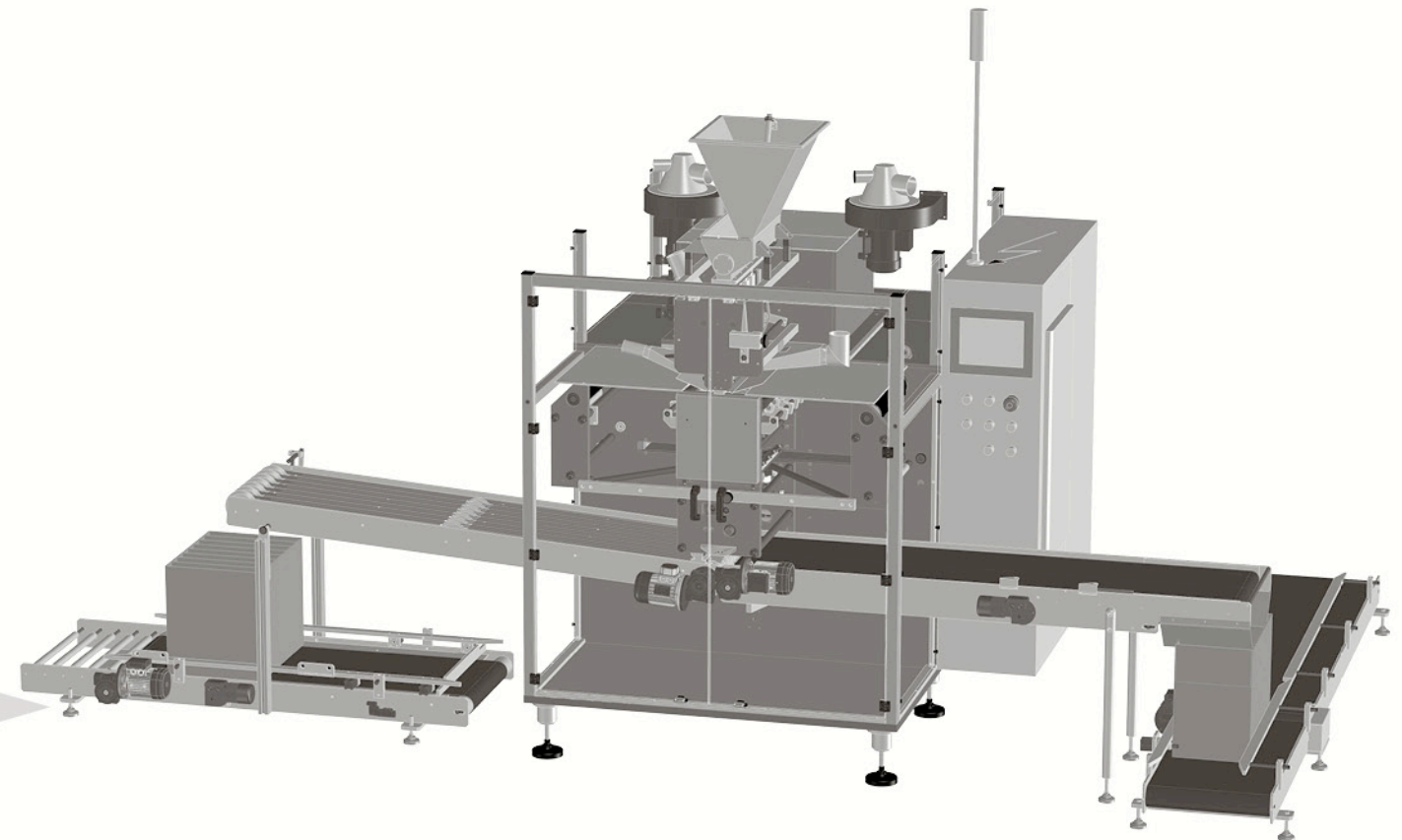
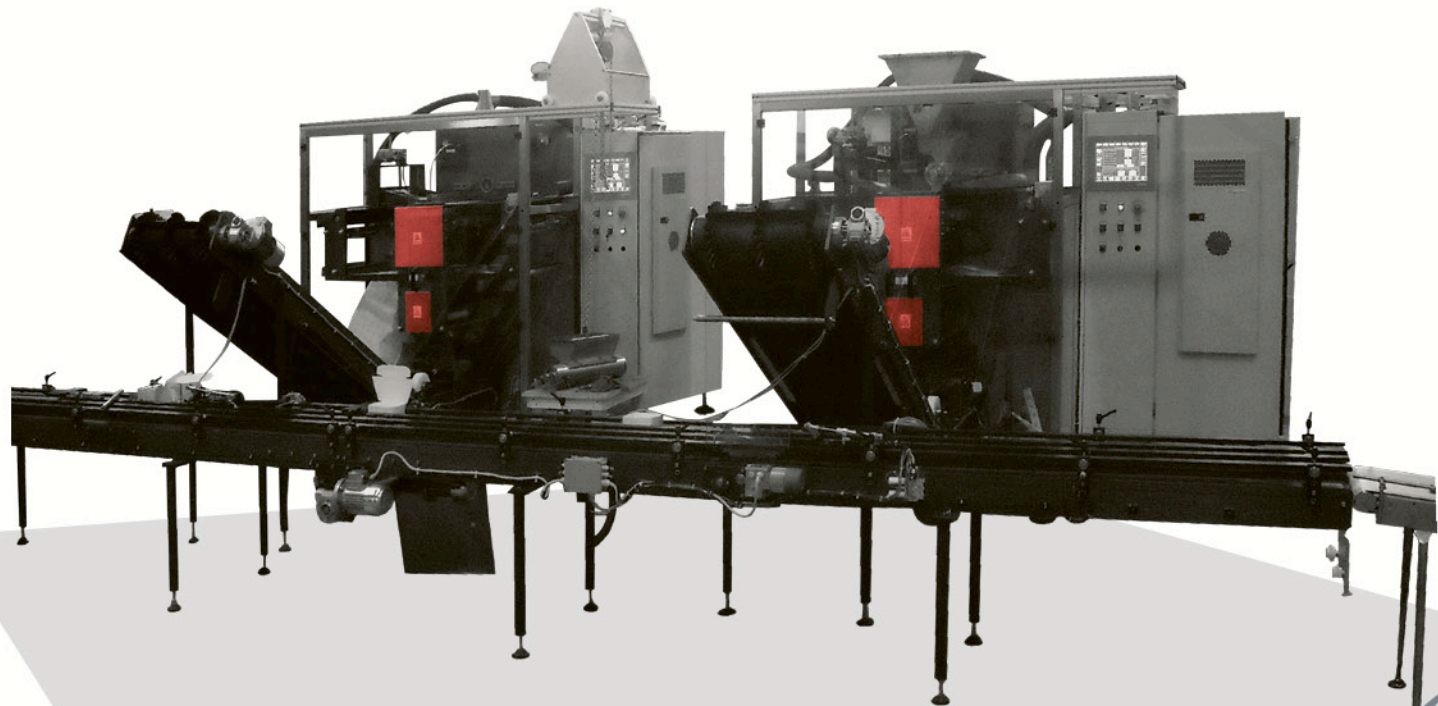
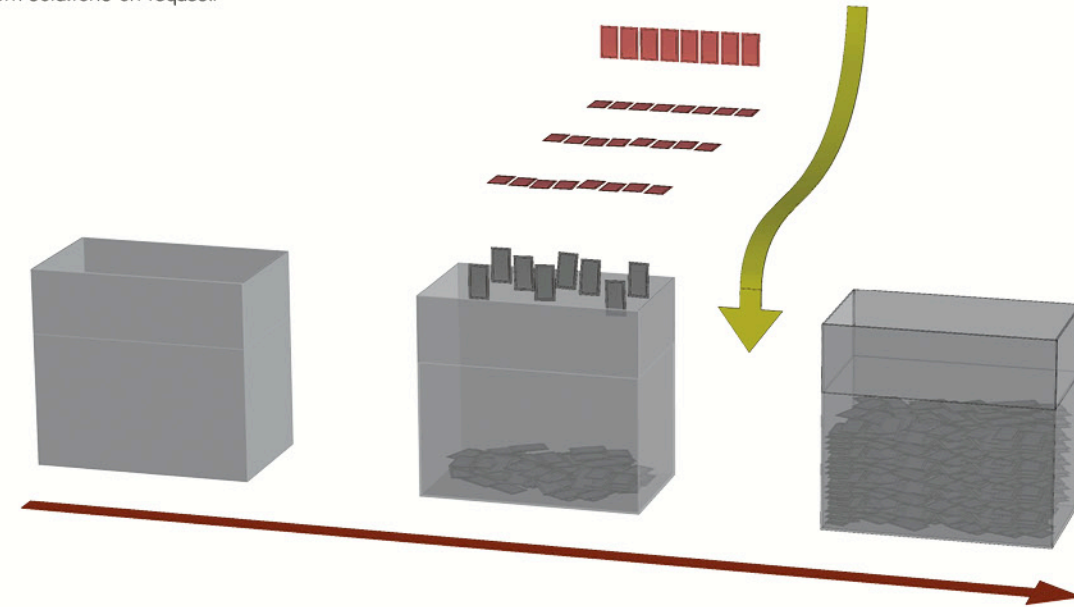
END OF LINE SOLUTIONS



Due to the wide range of solutions (single sachets, strips, type of boxes/cartons, etc.), that are mainly "custom made", there are no standard technical details to list.

Boato Pack can provide various solutions, fully tested and integrated, to collect the high volume of sachets produced by our machines and load them in a secondary packaging "randomly" in carton box, display, pillow bag, etc, the main solutions are:

- discharge of sachets in a carton box, manually formed;
- discharge of strips in carton box, manually formed;
- full automatic line, carton erector, automatic loading, carton closing;
- same as above mentioned for the display;
- full automatic line for sachets in pillow bag;
- full automatic line for strips in carton (pouch loader);
- other custom solutions on request.



Technical documentation [DQ., IQ., OQ., PQ., FDS, RA, FAT, TM, OPP, etc...] available on request.
For descriptions in other languages, please refer to our website: www.boatopack.com
Technical data, like power and air consumption, depends on the machine + doser + optional configuration, this info will be supplied with the project quotation.