

MOSCA[®]

EXCELLENCE IN STRAPPING SOLUTIONS

EVOLUTION



SONIXs MP-6 T-VA
Automatic Stainless Steel
Strapping Machine

SoniXs MP-6 T-VA

MACHINE DESCRIPTION

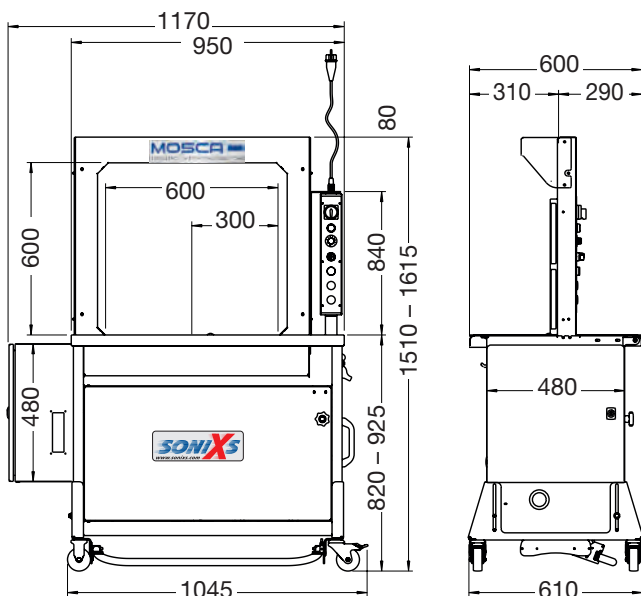
- Corrosion-free ultrasonic sealing system with electronic self-calibration
- High-end Standard 6 sealing unit
- Easy accessibility and tool-free disassembly of strap path components
- Wear-free DC drives with integrated electronics
- Stepless turnable control panel for many-sided operation
- Adjustable strap tension via potentiometer
- Switching from maximum to material-friendly Eco-speed in the control
- Quick strap coil change
- Strap coil changeable from the front and the side
- Automatic strap threading system
- Strap end detection with ejection of remaining strap
- Automatic strap loop ejection
- Extremely low energy consumption
- 4 castors, 2 of them lockable
- CE marking inclusive conformity declaration
- Soft strapping selectable for sensitive packages
- Machine completely corrosion-free (use of stainless steel or corrosion-free materials, for example V2A, V4A aluminum)
- IP 56 protection class design
- Sensitive components (e.g. motors) are equipped with additional covers

OPTIONS

- Cost-efficient, pneumatic hold-down device
- Table extension
- Automatic adjustment of the strap tension by package height detection
- Balls or rollers in the table plate
- Lowering chassis H = 730 mm – 835 mm
- Manual strapping release via additional fixed or flexible foot pedal
- Automatic strapping release via light sensor
- Strap end detection with signal in the control panel
- Parameter control panel for setting strapping parameters
- 4 castors
- Signal light
- Signal exchange via 16-pin contact

TECHNICAL DATA

PERFORMANCE:	up to 50 cycles/minute
FRAME SIZE:	600 mm x 600 mm
WORKING HEIGHT:	820 mm to 925 mm
STRAPS:	Standard machine grade 5, 6, 8, 9, 10 or 12 mm wide PP straps
STRAP COIL DISPENSER:	
Core diameter:	200 mm
Core width:	190 mm
Max. outer diameter:	430 mm
ELECTRICITY:	
Network data:	230 V, 50/60 Hz, 1 Ph Schuko plug
Power consumption:	approx. 0.2 kW
WEIGHT:	200 kg



MOSCA[®]
EXCELLENCE IN STRAPPING SOLUTIONS

MOSCA GMBH

Gerd-Mosca-Straße 1
D-69429 Waldbrunn/Germany
Tel.: +49 6274/932-0
Fax: +49 6274/932-400 118
Tel. Tech. Service: +49 6274 / 932-146
E-Mail: info@mosca.com
Internet: www.mosca.com

04 / 16 Subject to alterations

The models of SoniXs MP-6 T-VA are adjustable to one strap width of 5, 6, 8, 9, 10 or 12 mm quality PP straps. Obtainable directly from Mosca, produced in one of Europe's most modern manufacturing plants. Combinable with maintenance contracts by Mosca – a one-stop solution.

