

PRODUCT TITLE

250ml STANDARD

DRAWING NUMBER

E956-B-01

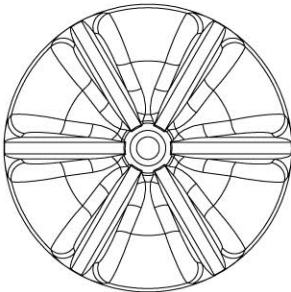
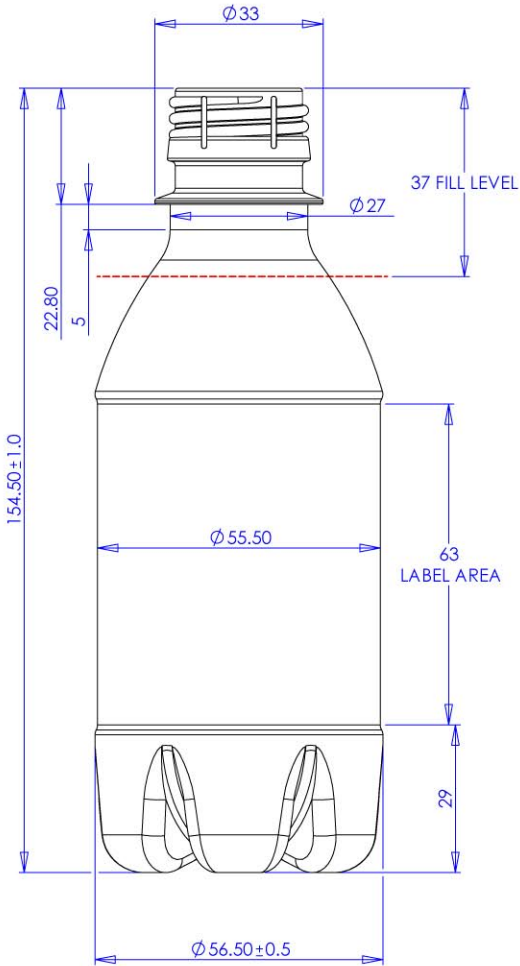
ref PET PLAS drg B0001 iss 1

ISSUE NUMBER

1

MATERIAL

PET



CAPACITY @ FILL LEVEL
@ 20°C after 72hrs

255ml ± 5ml

CAPACITY @ BRIMFULL
@ 20°C after 72hrs

270ml ± 5ml

NECK FINISH

28mm BPF

DESIGN WEIGHT

17g

ALTERNATIVE WEIGHTS

15.75g

TOOLING REF

P5509

DIMENSIONS

ALL DIMENSIONS IN MILLIMETERS UNLESS OTHERWISE STATED

ALL DIMENSIONS SHOWN ARE A REPRESENTATION AND ARE SUBJECT TO CHANGE

UNLESS STATED GENERAL TOLERANCES FOR BLOWN PARTS = ± 0.5 mm

UNLESS STATED GENERAL TOLERANCES FOR INJECTED PARTS = ± 0.2 mm

HEAD OFFICE

ESTERFORM PACKAGING LIMITED
BORASTON LANE
TENBURY WELLS
WORCESTERSHIRE
WR15 8LE, UK

Phone : +44 (0) 1584 810 600
Fax : +44 (0) 1584 810 213

THIS DRAWING AND THE COPYRIGHT THEREON ARE THE PROPERTY OF ESTERFORM LTD AND MUST NOT BE REPRODUCED IN PART OR IN WHOLE OR PASSED ON TO OTHERS WITHOUT PERMISSION