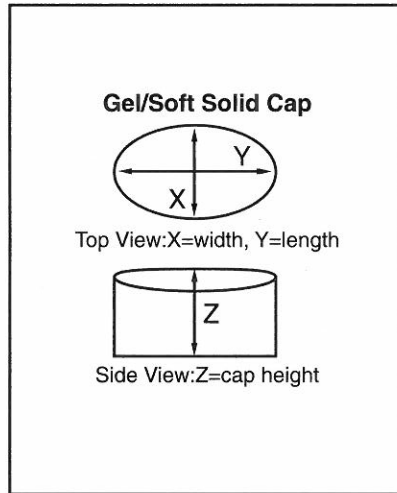
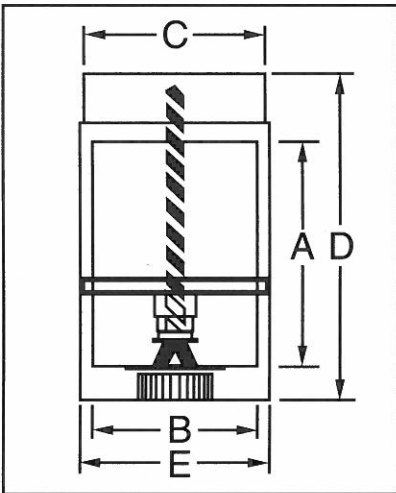


PLASTEK GEL/SOFT SOLID STICK



Technical Information

- ▲ Pressure sensitive labeling available on front and back or 360 degree wrap. (label dimensions are approximate).
- ▲ Dome, screw and cap are manufactured from polypropylene.
- ▲ Barrel manufactured from either PET or polypropylene.
- ▲ Platform manufactured from LDPE.
- ▲ Available in top fill only.



Overall and Label Area Dimensions

DIMENSIONS (INCHES)

Fill Weight (oz.) (grams)	Max. Label Area		Barrel			Cap		
	A	B	C	D	E	X	Y	Z
2.25 63.81	2.5	1.5	2.18	4.089	2.225	1.434	2.365	1.355
2.82 79.95	2.97	1.5	2.18	4.589	2.225	1.434	2.365	1.355



UNITED STATES
2425 West 23rd Street
Erie, Pennsylvania 16506
(814) 878-4468
Fax (814) 878-4499
www.plastekgroup.com



PLASTEK DO BRASIL IND. E COM. LTDA.
Rod. Eng. Ermenlo De Oliveira Pentead, s/n - Km 58, 2 - SP 75
13330-000 Indaiatuba SP Brasil
011-55-193-885-8200
Fax 011-55-193-885-8205



PLASTEK UK LTD.
Crown Farm Way
Forest Town
Mansfield, Nottinghamshire
NG19 0FT England, UK
011-44-162-366-2233
Fax 011-44-162-366-2244



PLASTEK DE VENEZUELA
Av. Intercomunal Guarenas-Guatire
Sector El Marques, Edif. Plastek De Venezuela
Guatire, Edo. Miranda 1221-000
Venezuela
Switchboard 011-58-212-340-2411
Fax 011-58-212-340-2403